



Movexx **BM500R-FFC**
PARTS & OPTIONS
2019

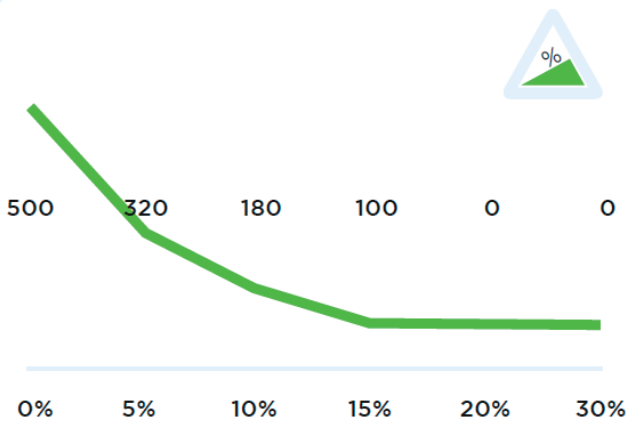
Specifications

Technical details

Frame	Steel, powder coated, RAL9007 (Gray Aluminium)
Motor	24V DC, 300W, 100 rpm
Weight	200 kg
Weight trailer	Max. 500 kg
Battery	Built in, 24 V, 22 Ah
Speed Max.	5 km/h, freely programmable
Drive wheels	Full rubber Ø 250 x 80mm
Adze height	770-1200 mm (variable)
Folded	770 mm
Noise level	63,8 dB
To use from	-10 °C / 40 °C
Protection class	Machine IP44
Hook position	Head- or footboard

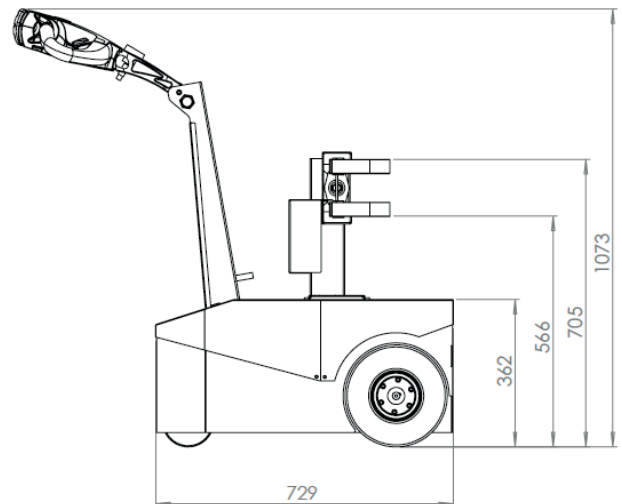
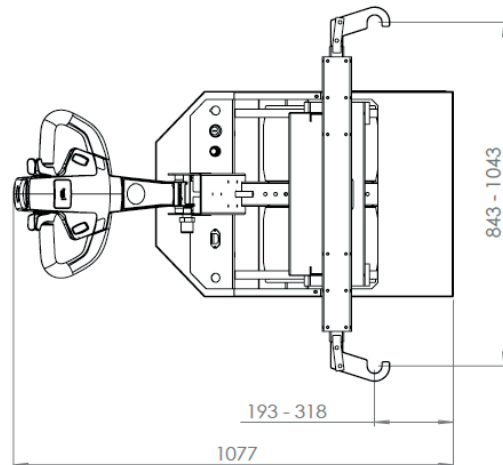
© 2019 Movexx International B.V. The images shown are used for illustration purposes only and may differ from the products indicated. No rights can therefore be derived from it. Printing errors are subjected to change.

Pulling power (in kg)



Measured with a trolley with 2 swivel wheels and 2 fixed castors. Wheel Ø 160 mm.

Dimensions



Standard parts



Motor 300W / 100rpm
(6911393E) with brake
Item number M1033



Battery AGM-VRLA block
12V / 22Ah
Item number M0076



LED battery indicator
Item number M0123



Charger (internal)
AGM battery 24V / 5A
+ external indicator
Item number M0246



Radio remote control
Item number M0442



Drive wheel
Full rubber, non-marking
Gray Ø 250 x 80 mm
Item number M0115

Standard parts



Castor wheel
Black Ø 125 mm
Item number M0110



Adjustable tiller head
Item no M1002-0100



Belly button RED
Item number M0121-BBUT



2 programmable speeds

Options



Extra plug to recharge
the battery
*for on-machine battery
charging*
Item number OPT0001

Options



Horn 90dB for
cast iron tiller head supp.
M1002
Item number OPT0045



Horn 90dB for
steel tiller head supp.
M1002-0100
Item number OPT0057



Horn 103dB
Item number OPT0059



Emergency stop complete
Item number OPT0063



Strobe light for
cast iron tiller head supp.
M1002
Item number OPT0076

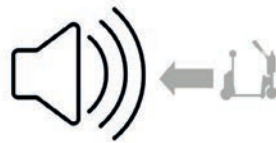


Strobe light for
steel tiller head supp.
M1002-0100
Item number OPT0065

Options



Audio signal
(while driving)
Item number OPT0253



Audio signal
(driving backward)
Item number OPT0254



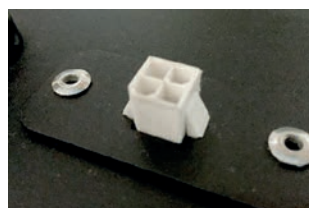
Hour tracker
Item number OPT0056



Antistatic strip
Item number OPT0058



Code lock
Item number OPT0068



Diagnostic connector
Item number OPT0270

Options



Ignition key (unequal)
Item number OPT0145



Ignition key 701 (equal)
Item number OPT0146



On/off rotary switch
Item number OPT0016



Parking floorlabel Ø 60 cm
Item number OPT0245



Customized programming
Please indicate specific settings
Item number OPT0170



Programmer for Italsea
Item number D0003

Options



Urgent order purchase
Item number SPOED

Batteries and Chargers



Battery AGM-VRLA block
12V / 22Ah
Item number M0076



Charger (internal)
AGM battery 24V / 5A
+ external indicator
Item number M0246

Most common spareparts



Battery AGM-VRLA block
12V / 22Ah
Item number M0076

Most common spareparts



Charger (internal)
AGM battery 24V / 5A
+ external indicator
Item number M0246



Battery guide
(stainless steel)
Item number M0482



Battery connector SB50
Item number M0105



Belly button RED
Item number M0121-BBUT



Switch buttons (2x) green
Item number M0121-KNOP-GROEN



Switch tiller head
excl. buttons
Item number M0121-FLIPPER

Most common spareparts



Feather/shaft Throttle
Item number M0121-4



Switch FAST/SLOW
tiller head green
Item number M0121-SPEED-GROEN



Switch ON/OFF
tiller head green
Item number M0121-AANUIT-GROEN



Plain sleeve bearing
Ø8 / 12 x 6, 16 x 2 mm
Item number M4038



Locking pin
M16 x 1,5 mm
Item number M0001



Coverplate tiller head
Item number M0898

Most common spareparts



Italsea drive controller
in 24V / 36 bat,
in 10A / I_{max} 45A
Item number M1122



Carbon brushes (set of 4)
for Motor 300W
Item number M0186



LED battery indicator
(build-in)
Item number M0318



LED battery indicator
Item number M0123



Cable harness complete
Item number M1127-M050



Fuse 5A
Item number M0506

Most common spareparts



Fuse Maxi 40A
Item number M0254



Drive wheel
Full rubber, non-marking
Gray Ø 250 x 80 mm
Item number M0115



Castor wheel
Black Ø 125 mm
Item number M0110

applications



moveXX
driven by brain power

Generatorstraat 17-19
3903 LH Veenendaal
The Netherlands

T +31 (0)318 519900
E info@movexx.com
W www.movexx.com

